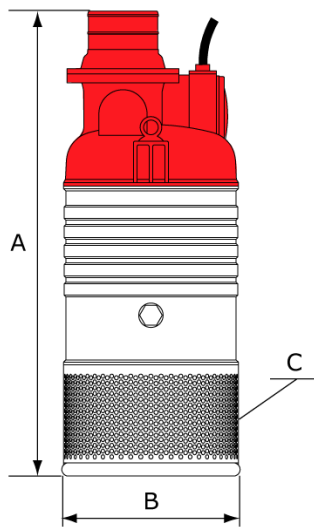




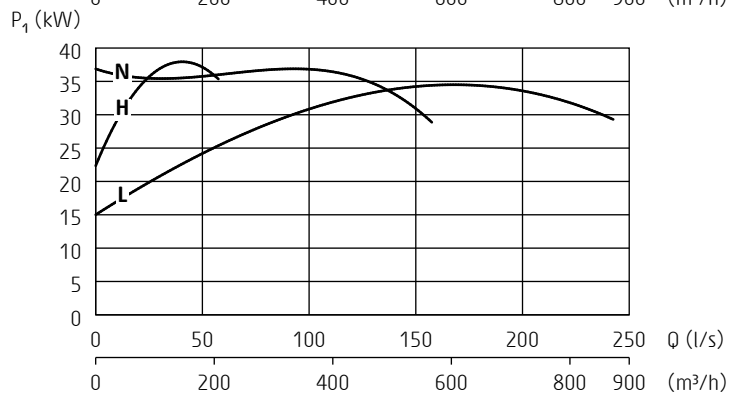
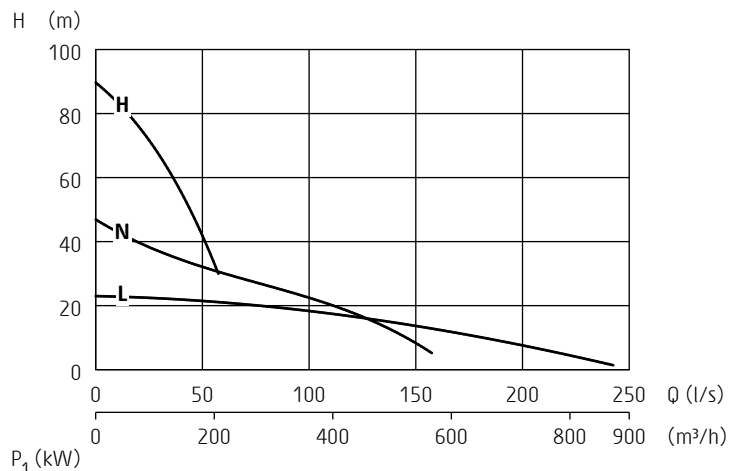
Maxi

Electrical submersible drainage pump



50 Hz	N	H	L
Discharge connection	8"	4"	8"
Rated power P_2 [kW]	37	37	30
Max. power consumption P_1 [kW]	41	41	33
Shaft speed [r.p.m.]	2950	2950	1465
Rated current at 230V	112 A	112 A	98 A
Rated current at 400V	65	65	57
Rated current at 500V	52	52	45
Solids passage C	12 mm	12 mm	12 mm
Dimensions A / B	1345 / 510 mm	1345 / 510 mm	1345 / 510 mm
Weight	285 kg	285 kg	285 kg

Other voltages on request



ISO 9906/A

Pump types

N: normal pressure
H: high pressure

Classification

Electrical submersible pump, protection class: IP68

Electrical motor

Squirrel cage induction motor, insulation class F (IEC 85)

Motor protector

Temperature guard with thermal contacts in the stator and air valve

This pump must be used with external motor protection in accordance with technical data

Cable - SubCab

230V DOL: 4G35mm²+2x1,5mm², length 20m

230V Y/D: 4G25mm²+2x1,5mm², length 20m

400-500V DOL: 4G16mm²+2x1,5mm², length 20m

400-500V Y/D: 4G10mm²+2x1,5mm², length 20m

Limitations

Max. submersion depth: 20 m

Max. liquid temperature: 40 °C

Allowed pH range: 5 - 8

Maximum liquid density: 1100 kg/m³

Shaft seals

Double mechanical seal running in an oil compartment
Material lower seal: *tungsten carbide - tungsten carbide*
Material upper seal: *tungsten carbide - tungsten carbide*

Bearings

Lower: Double angular contact ball bearing with C3 clearance
Upper: ball bearing with C3 clearance

Discharge connection

4-8" hose, ISO-G or NPT

Materials

Casted parts: *Aluminium*

Outer casing: *Stainless steel*

Motor shaft: *Stainless steel*

Impeller: *Hard-Iron™*

Diffusers: *Polyurethane*

Screws and nuts: *Stainless steel*

Accessories

Zinc anodes

Starter box, DOL or Y/D

Tandem connection

Non return valve

Specifications can be changed without notice