

Parts List



www.grindex.com

Bravo 600 — 8150.020



Parts List

Bravo 600 — 8150.020

Overview

Table of Contents

This publication contains the following topics:

Topic

Preface	4
Practical Information	5
Data Plate Interpretation.....	6
Order parts.....	7
Motor Parts	8
Exploded view: Motor Parts.....	9
List of Motor Parts.....	10
Hydraulic Parts.....	14
Exploded view: Hydraulic Parts.....	15
List of Hydraulic Parts	17

Preface

Purpose

The purpose of this manual is to give the reader information about available spare parts and accessories for the product.

Recipient

The manual is principally intended for Grindex

- customers
 - service personnel *and*
 - sales personnel.
-

Contact

Please contact Grindex if any information in this publication is

- incorrect
 - missing
 - difficult to find *or*
 - irrelevant.
-

Reference

More information about the product is available in the following documents:

- Installation, Operation and Maintenance
 - Accessories. Please see Grindex Accessories list.
-

Practical Information

Overview

Table of Contents

This chapter contains the following topics:

Topic

Data Plate Interpretation	6
Data Plate.....	6
Order parts	7

Data Plate Interpretation

Introduction

The Grindex product is always provided with data plates:

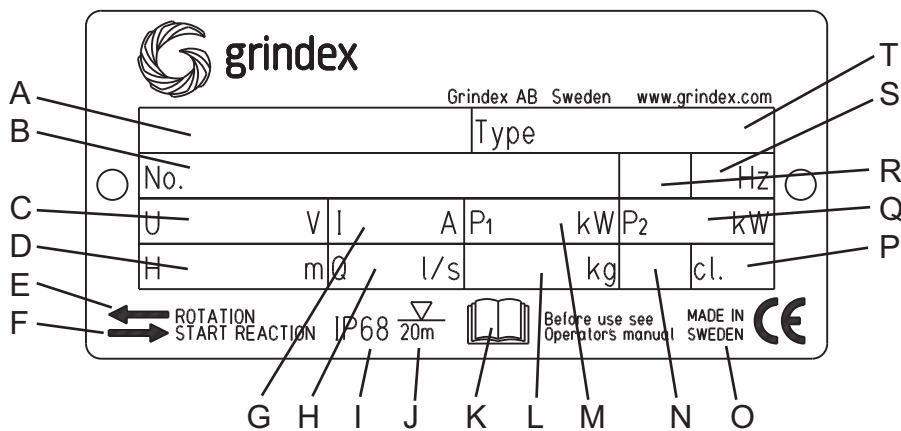
- The general data plate is used on all products.
- The approval plate is added to all explosion proof products.

Data Plate

The product may only be operated within the parameters stated on the data plate.

Illustration

This is an illustration of a general data plate.



Field description

This table shows the fields on the general data plate, and which information each field contains.

Field	Description	Field	Description
A	Pump model	K	Read the Installation, Operation and Maintenance Manual
B	Serial number	L	Product weight
C	Rated voltage	M	Maximum Power consumption
D	Maximum height	N	Locked rotor code letter
E	Direction of Impeller rotation	O	Country of origin
F	Direction of starting jerk	P	Thermal class
G	Rated current	Q	Rated shaft power
H	Maximum capacity	R	Phase; type of current
I	Degree of protection	S	Frequency
J	Maximum submersion depth	T	Pump type number

Order parts

Order

When ordering spare parts, state product number and serial number of the product, spare part number and quantity.

Requirements

Genuine Grindex parts must always be used for repairs if the product is to fulfill requirements and obtain official approval.

Specially Approved Products

Spare parts marked with ^(EX) after the part number are subject to dimensional accuracy inspection.

Motor Parts

Overview

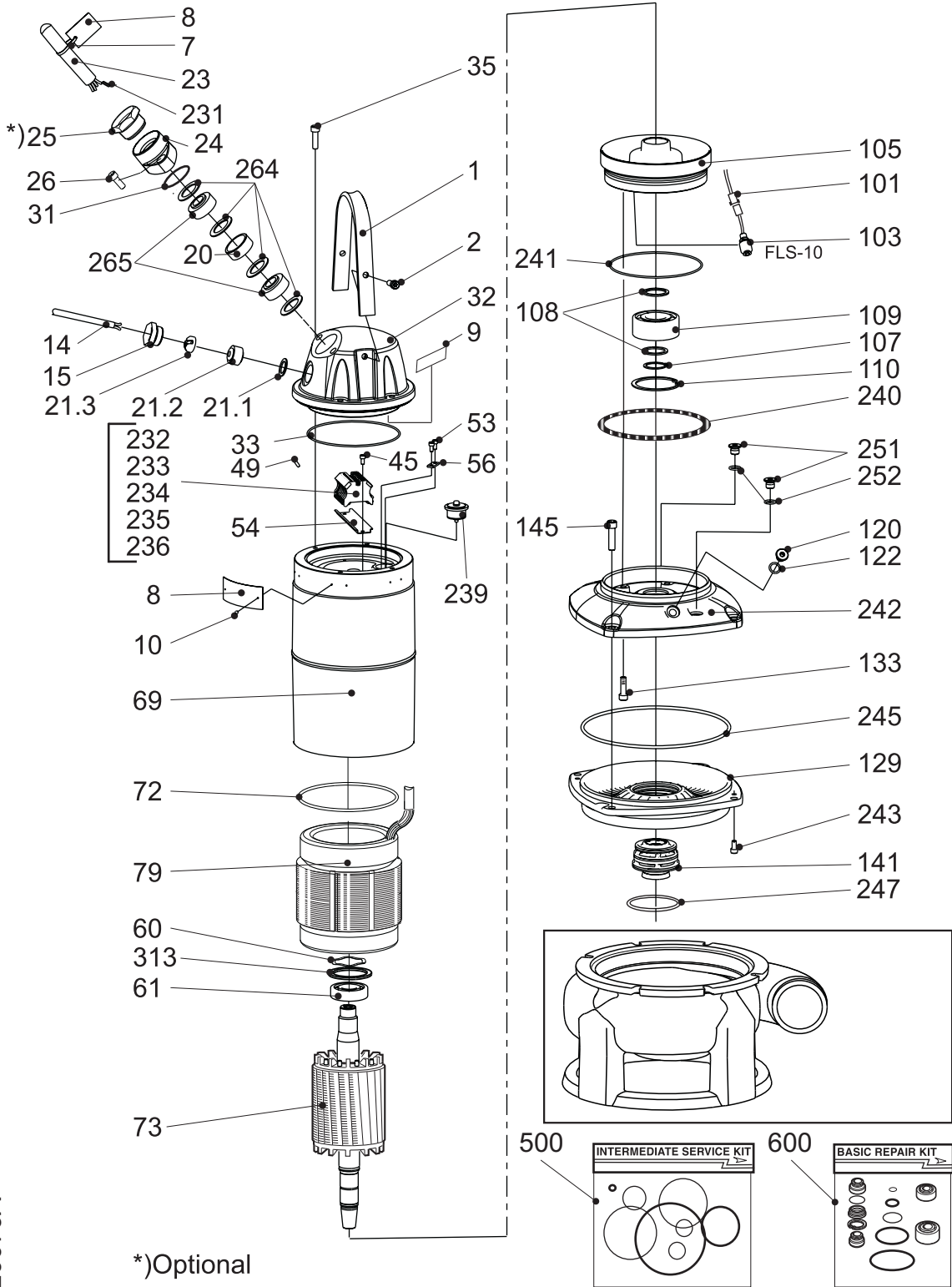
Table of Contents

This chapter contains the following topics:

Topic

Exploded view: Motor Parts	9
List of Motor Parts	10

Exploded view: Motor Parts



*)Optional

20079A

List of Motor Parts

Pos. no.	Part. no.	Denomination	Qty./Version	
			020	
1	51 465 00	Lifting handle	1	
2	410 374	Hex.socket hd screw M12X45-A4-80	2	
7	410 517	Cable tie 200X2.4 PA 6/6 -55+105	1	
7	50 457 02	Cable tie 292X3.5;NY- LON;+125 C	1	
8	50 888 00	Plate-blank	2	Use 50 907 00 (EU), 50 907 01 (US) as spare part.
9	410 526	Marking strip 5-GW(T1;T2;T15;T16)	1	
9	410 527	Marking strip W5;V5;U5;V2;W1;U2;V1;W2;U	1	
9	50 918 00	Connection plate SCREENED SUBCAB	1	
9	51 426 00	Connection plate	1	
9	51 438 00	Plate	1	
9	51 440 00	Connection plate	1	
9	51 441 00	Connection plate	1	
10	410 000	Drive screw 4X5-A2-70	4	
14	410 350	Control cable SUBCAB 7X1.5MM2 OD=15-17	*	
15	51 407 00	Gland screw FOR CABLE ENTRY	1	
20	51 025 02	Ring	1	
21.1	50 127 04	Plain washer (10)-22MM	1	
21.2	410 043	Seal sleeve (10)-12MM	1	
21.2	410 045	Seal sleeve (14)-16MM	1	
21.3	50 926 00	Cable clip (10)-12MM	1	
21.3	50 926 02	Cable clip (14)-16MM	1	
23	410 061	Motor cable SUBCAB S3X2.5+3X2.5/3+4X1	*	
23	410 063	Motor cable SUBC 7G2.5+2X1.5MM2 20-23	*	
23	410 068	Motor cable SUBCAB 12AWG/7	*	
23	410 069	Motor cable SUBC 10AWG/3-2-1-GC 20-22	*	
23	410 124	Motor cable SUBCAB S3X6+3X6/3+4X1,5	*	
23	410 126	Motor cable SUBC 4G6+2X1.5MM2 23-25	*	

Pos. no.	Part. no.	Denomination	Qty./Version	
			020	
23	410 127	Motor cable SUBC 4G10+2X1.5MM2 26-28	*	
23	410 128	Motor cable SUBC 4G16+2X1.5MM2 26-28	*	
23	410 129	Motor cable SUBC 4G4+2X1.5MM2 20-22	*	
23	410 130	Motor cable SUBC 7G4+2X1.5MM2 22-26	*	
23	410 131	Motor cable SUBC 7G6+2X1.5MM2 24-28	*	
23	410 134	Motor cable SUBC 8AWG/3-2-1-GC 27-29	*	
23	410 135	Motor cable SUBC 6AWG/3-2-1-GC 30-32	*	
23	410 136	Motor cable SUBC 4AWG/3-2-1-GC 33-35	*	
23	410 347	Motor cable SUBCAB S3X16+3X16/3+4X1.5	*	
23	50 777 00	Motor cable SUBC 4G2.5+2X1.5MM2 17-18	*	
24	51 411 00	Entrance flange SS	1	
24	51 411 01	Entrance flange ISO 228/1-G2	1	
24	51 411 02	Entrance flange 2-11.5 NPT	1	
24	51 411 03	Entrance flange 1 1/2-11.5 NPT	1	
24	51 423 00	Entrance flange	1	
25	410 528	Plate	1	
25	51 419 00	Gland screw 1 1/4" ISO.FOR METALHOSE	1	
25	51 419 01	Gland screw 1 1/2" NPT.FOR METALHOSE	1	
26	410 374	Hex.socket hd screw M12X45-A4-80	2	
31	410 086	O-ring 49.5X3 NBR	1	
31	410 513	O-ring 49.5X3 FPM	1	
32	51 461 00	Entrance cover	1	
32	51 461 01	Entrance cover	1	
33	132 380	O-ring 194.3X5.7 NBR	1	
33	410 549	O-ring 194.3X5.7 FPM	1	
35	410 374	Hex.socket hd screw M12X45-A4-80	4	
45	410 503	Hex.socket hd screw EXT. GROUND SCREW M6X12	2	
49	410 516	End sleeve H25/30	3	

Pos. no.	Part. no.	Denomination	Qty./Version	
			020	
53	410 503	Hex.socket hd screw EXT. GROUND SCREW M6X12	4	
54	51 464 00	Rail	1	
56	50 902 00	Earthing plate	2	
60	410 080	Spring washer 71.5X59.0X0.55	1	
61	410 100	Ball bearing 3306A- 2Z/C3VT113	1	
69	51 463 00	Stator housing	1	
72	410 546	O-ring 239.5X5.7 NBR	1	
72	410 550	O-ring 239.3X5.7 FPM	1	
73	51 466 02	Shaft unit	1	
79	51 467 01	Stator 25-19-4a	1	50Hz: 660 - 690V Y, 380 - 400V D. 60Hz: 460V D.
79	51 467 02	Stator 25-19-4a	1	50Hz: 400V Y, 230V D.
79	51 467 05	Stator 25-19-4a	1	50Hz: 415 - 440V D.
79	51 467 06	Stator 25-19-4a	1	50Hz: 500V D. 60Hz: 575 - 600V D.
79	51 467 07	Stator 25-19-4a	1	60Hz: 460V Yser, 230V Y//.
79	51 467 08	Stator 25-19-4a	1	60Hz: 380V D.
101	50 698 00	Cable unit FLS10	1	
103	50 486 01	Level sensor FLS10	1	
105	51 459 00	Bearing holder	1	
107	132 381	Retaining ring SGA 55	1	
108	132 373	Supporting washer S 55X68X3	2	
109	410 555	Ball bearing 3311A- 2Z/C3VT113	1	
110	410 554	Retaining ring 120/2,85	1	
120	51 428 00	Inspection screw	1	
122	410 508	O-ring 17X3 NBR	3	
122	410 511	O-ring 17X3 FPM	3	
129	51 458 00	Seal housing cover	1	
132	131 929	O-ring 339.3X5.7 NBR	1	
133	410 374	Hex.socket hd screw M12X45-A4-80	6	
141	51 455 00	Mechanical seal DIAM.45 PLUGIN, RSIC/WCCR	1	
145	410 553	Hex.socket hd screw M16X60-A4-80	4	
228	51 432 00	Connection plate	1	
229	50 948 00	Sticker	2	
231	410 054	Shrink hose ID 6.4	*	
231	410 122	Shrink hose ID 9.5	*	

Pos. no.	Part. no.	Denomination	Qty./Version	
			020	
232	410 523	Terminal clamp WDU6/10	3	
233	410 519	Terminal clamp WDU35/IK/ZA	8	
233	410 524	Terminal clamp WDU16,1000V	6	
234	410 520	Cross connection WQW35/2	4	
234	410 525	Cross connection WQV16/2	3	
234	51 427 00	Cross connection	1	
235	410 522	End support WEW 35/2	1	
236	410 521	Partition	1	
239	51 460 00	El.lead through unit	1	
240	51 413 01	Spring	1	
241	132 422	O-ring 219.3X5.7 NBR	1	
241	410 547	O-ring 219.3X5.7 FPM	1	
242	51 462 00	adapter	1	
243	50 023 09	Hex.socket hd screw M12X25-A4-80	2	
245	131 929	O-ring 339.3X5.7 NBR	1	
245	410 548	O-ring 339.3X5.7 FPM	1	
247	410 551	O-ring 92X4 FPM	1	
251	51 428 00	Inspection screw	2	
252	410 508	O-ring 17X3 NBR	2	
252	410 511	O-ring 17X3 FPM	2	
264	132 312	Plain washer (33)-35MM	4	
264	132 334	Plain washer (14)-20MM	4	
264	132 336	Plain washer (20)-32MM	4	
265	410 113	Seal sleeve (17)-20MM	2	
265	410 114	Seal sleeve (20)-23MM	2	
265	410 115	Seal sleeve (23)-26MM	2	
265	410 116	Seal sleeve (26)-29MM	2	
265	410 117	Seal sleeve (29)-32MM	2	
265	410 118	Seal sleeve (32)-35MM	2	
313	410 084	O-ring 71.2X3 FPM	1	

* piece goods

Hydraulic Parts

Overview

Table of Contents

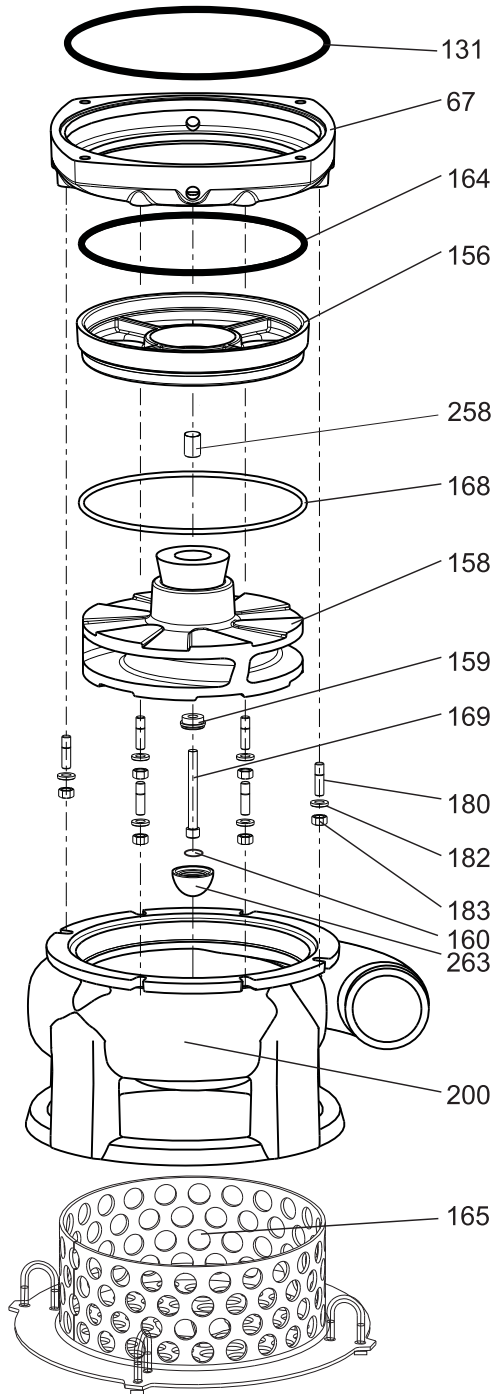
This chapter contains the following topics:

Topic

Exploded view: Hydraulic Parts.....	15
List of Hydraulic Parts.....	17

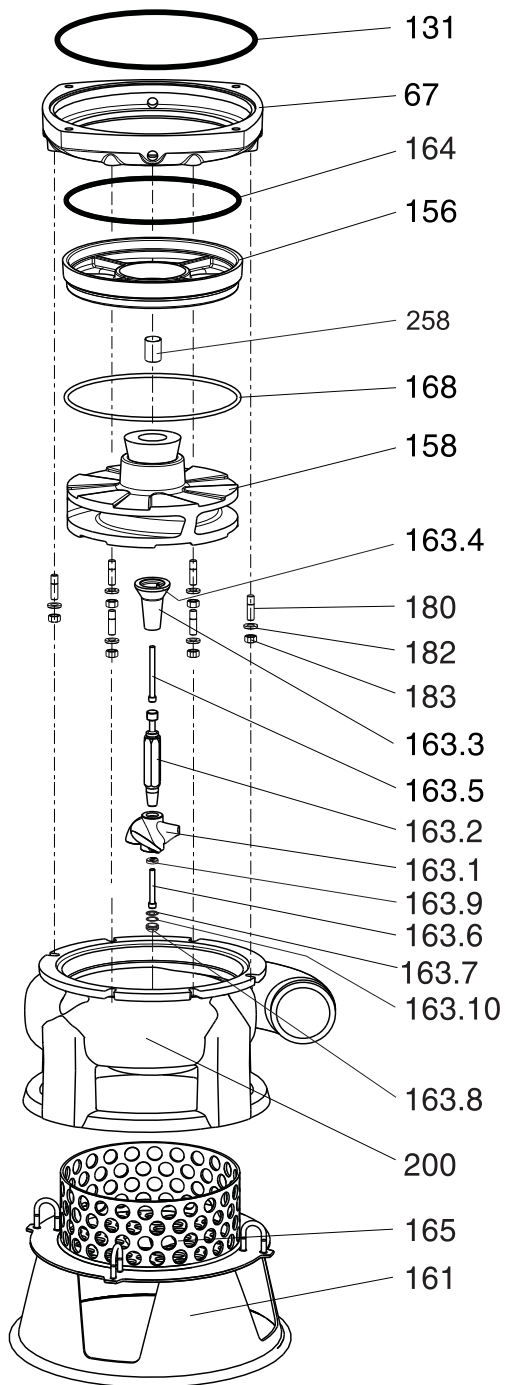
Exploded view: Hydraulic Parts

Without agitator



20080A

With agitator



20081

List of Hydraulic Parts

Pos. no.	Part. no.	Denomination	Qty./Version	
			020	
67	51 598 00	Pump housing adapter	1	
156	51 425 00	Wearing cover	1	
158	51 601 00	Impeller unit 50Hz.	1	
158	51 601 01	Impeller unit 60Hz.	1	
159	51 453 00	Sleeve	1	
160	410 663	Protective plug	1	
161	51 431 00	Stand compl.	1	
163	51 436 02	Agitator unit	1	
164	410 510	O-ring	1	
165	51 433 00	Strainer compl.	1	
168	410 509	O-ring 297,8X6,99 NITRIL	1	
169	410 552	Hex.socket hd screw	1	
180	410 502	Stud 12X30-A4-70	6	
182	410 504	Plain washer STAINLESS STEEL A4	6	
183	132 280	Hexagon nut M12-A2-70	6	
200	51 424 00	Pump housing	1	
258	51 469 00	Sleeve unit	1	
263	51 454 00	Wear protection	1	



Grindex AB • Box 7025 • SE-174 07 Sundbyberg • Sweden • Tel +46 8 606 66 00 • Fax +46 8 745 53 28 • marketing@grindex.com

© Grindex AB. The original instruction is in English. All non-English instructions are translations of the original instruction.