

Parts List



www.grindex.com

Bravo 400 — 8148.020



Parts List

Bravo 400 — 8148.020

Overview

Table of Contents

This publication contains the following topics:

Topic

Preface	4
Practical Information	5
Data Plate Interpretation.....	6
Order parts.....	7
Motor Parts	8
Exploded view: Motor Parts.....	9
List of Motor Parts.....	10
Hydraulic Parts.....	14
Exploded view: Hydraulic Parts.....	15
List of Hydraulic Parts	17

Preface

Purpose

The purpose of this manual is to give the reader information about available spare parts and accessories for the product.

Recipient

The manual is principally intended for Grindex

- customers
 - service personnel *and*
 - sales personnel.
-

Contact

Please contact Grindex if any information in this publication is

- incorrect
 - missing
 - difficult to find *or*
 - irrelevant.
-

Reference

More information about the product is available in the following documents:

- Installation, Operation and Maintenance
 - Accessories. Please see Grindex Accessories list.
-

Practical Information

Overview

Table of Contents

This chapter contains the following topics:

Topic

Data Plate Interpretation	6
Data Plate.....	6
Order parts	7

Data Plate Interpretation

Introduction

The Grindex product is always provided with data plates:

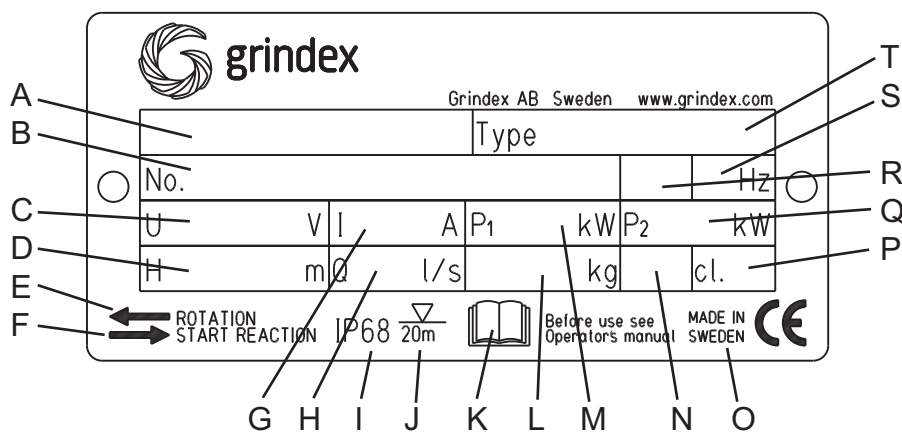
- The general data plate is used on all products.
- The approval plate is added to all explosion proof products.

Data Plate

The product may only be operated within the parameters stated on the data plate.

Illustration

This is an illustration of a general data plate.



Field description

This table shows the fields on the general data plate, and which information each field contains.

Field	Description	Field	Description
A	Pump model	K	Read the Installation, Operation and Maintenance Manual
B	Serial number	L	Product weight
C	Rated voltage	M	Maximum Power consumption
D	Maximum height	N	Locked rotor code letter
E	Direction of Impeller rotation	O	Country of origin
F	Direction of starting jerk	P	Thermal class
G	Rated current	Q	Rated shaft power
H	Maximum capacity	R	Phase; type of current
I	Degree of protection	S	Frequency
J	Maximum submersion depth	T	Pump type number

Order parts

Order

When ordering spare parts, state product number and serial number of the product, spare part number and quantity.

Requirements

Genuine Grindex parts must always be used for repairs if the product is to fulfill requirements and obtain official approval.

Specially Approved Products

Spare parts marked with ^(EX) after the part number are subject to dimensional accuracy inspection.

Motor Parts

Overview

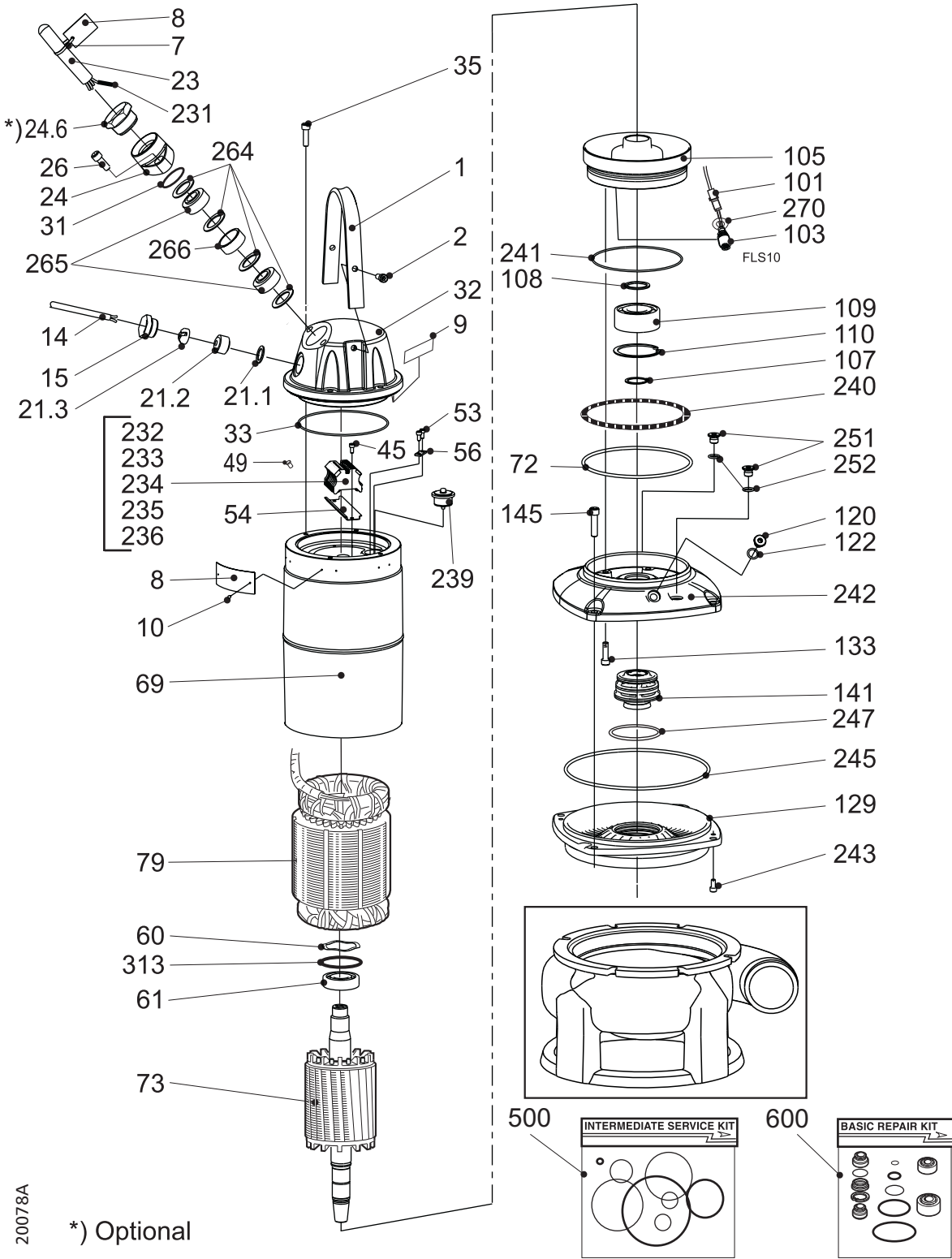
Table of Contents

This chapter contains the following topics:

Topic

Exploded view: Motor Parts	9
List of Motor Parts	10

Exploded view: Motor Parts



20078A

List of Motor Parts

Pos. no.	Part. no.	Denomination	Qty./Version	
			020	
1	51 430 00	Lifting handle	1	
2	410 518	Hex.socket hd screw M10X35-A4-80	2	
7	410 517	Cable tie 200X2.4 PA 6/6 -55+105	1	
7	50 457 02	Cable tie 292X3.5;NY- LON;+125 C	1	
8	50 888 00	Plate-blank	2	Use 50 907 00 (EU), 50 907 01 (US) as spare part.
9	410 526	Marking strip 5-GW(T1;T2;T15;T16)	1	
9	410 527	Marking strip W5;V5;U5;V2;W1;U2;V1;W2;U	1	
9	50 918 00	Connection plate SCREENED SUBCAB	1	
9	51 426 00	Connection plate	1	
9	51 438 00	Plate	1	
9	51 440 00	Connection plate	1	
9	51 441 00	Connection plate	1	
10	410 000	Drive screw 4X5-A2-70	4	
14	410 350	Control cable SUBCAB 7X1.5MM2 OD=15-17	*	
15	51 407 00	Gland screw FOR CABLE ENTRY	1	
21.1	50 127 04	Plain washer (10)-22MM	1	
21.2	410 043	Seal sleeve (10)-12MM	1	
21.2	410 045	Seal sleeve (14)-16MM	1	
21.3	50 926 00	Cable clip (10)-12MM	1	
21.3	50 926 02	Cable clip (14)-16MM	1	
23	410 061	Motor cable SUBCAB S3X2.5+3X2.5/3+4X1	*	
23	410 063	Motor cable SUBC 7G2.5+2X1.5MM2 20-23	*	
23	410 066	Motor cable SUBCAB 14AWG/7	*	
23	410 068	Motor cable SUBCAB 12AWG/7	*	
23	410 069	Motor cable SUBC 10AWG/3-2-1-GC 20-22	*	
23	410 124	Motor cable SUBCAB S3X6+3X6/3+4X1,5	*	
23	410 126	Motor cable SUBC 4G6+2X1.5MM2 23-25	*	

Pos. no.	Part. no.	Denomination	Qty./Version	
			020	
23	410 127	Motor cable SUBC 4G10+2X1.5MM2 26-28	*	
23	410 129	Motor cable SUBC 4G4+2X1.5MM2 20-22	*	
23	410 130	Motor cable SUBC 7G4+2X1.5MM2 22-26	*	
23	410 131	Motor cable SUBC 7G6+2X1.5MM2 24-28	*	
23	410 134	Motor cable SUBC 8AWG/3-2-1-GC 27-29	*	
23	410 135	Motor cable SUBC 6AWG/3-2-1-GC 30-32	*	
23	410 136	Motor cable SUBC 4AWG/3-2-1-GC 33-35	*	
23	410 347	Motor cable SUBCAB S3X16+3X16/3+4X1.5	*	
23	50 777 00	Motor cable SUBC 4G2.5+2X1.5MM2 17-18	*	
24	51 411 00	Entrance flange SS	1	
24	51 411 01	Entrance flange ISO 228/1-G2	1	
24	51 411 02	Entrance flange 2-11.5 NPT	1	
24	51 411 03	Entrance flange 1 1/2-11.5 NPT	1	
24	51 423 00	Entrance flange	1	
24.6	51 419 00	Gland screw 1 1/4" ISO.FOR METALHOSE	1	
24.6	51 419 01	Gland screw 1 1/2" NPT.FOR METALHOSE	1	
25	410 528	Plate	1	
26	410 374	Hex.socket hd screw M12X45-A4-80	2	
31	410 086	O-ring 49.5X3 NBR	1	
31	410 513	O-ring 49.5X3 FPM	1	
32	51 429 00	Entrance cover	1	
32	51 429 01	Entrance cover	1	
33	410 022	O-ring 175X3 NBR	1	
33	410 506	O-ring 175X3 FPM	1	
35	410 518	Hex.socket hd screw M10X35-A4-80	4	
45	410 503	Hex.socket hd screw EXT. GROUND SCREW M6X12	2	
49	410 515	End sleeve H16/24	3	
49	410 516	End sleeve H25/30	3	
53	410 503	Hex.socket hd screw EXT. GROUND SCREW M6X12	4	

Pos. no.	Part. no.	Denomination	Qty./Version	
			020	
54	51 030 00	Rail	1	
56	50 902 00	Earthing plate	2	
60	410 080	Spring washer 71.5X59.0X0.55	1	
61	410 100	Ball bearing 3306A-2Z/C3VT113	1	
69	51 031 00	Stator housing	1	
72	410 091	O-ring 209.3X5.7 NBR	1	
72	410 512	O-ring 209.3X5.7 FPM	1	
73	51 422 00	Shaft unit	1	
79	51 421 01	Stator 21-18-4a	1	50Hz: 690V Y, 400V D. 60Hz: 460V D.
79	51 421 02	Stator 21-18-4a	1	50Hz: 400V Y, 230V D.
79	51 421 03	Stator 21-18-4a	1	50Hz: 415 - 440V D.
79	51 421 04	Stator 21-18-4a	1	50Hz: 200 - 208V D.
79	51 421 05	Stator 21-18-4a	1	60Hz: 460V Yser, 230V Y//.
79	51 421 06	Stator 21-18-4a	1	60Hz: 380V D.
79	51 421 07	Stator 21-18-4a	1	60Hz: 380V Y.
79	51 421 08	Stator 21-18-4a	1	50Hz: 500V D. 60Hz: 575 - 600V D.
79	51 421 09	Stator 21-18-4a	1	50Hz: 660V Y, 380V D. 60Hz: 440V D.
101	50 698 00	Cable unit FLS10	1	
103	50 486 01	Level sensor FLS10	1	
105	51 032 00	Bearing holder	1	
107	410 081	Retaining ring SGA 40	1	
108	410 079	Supporting washer 40X50X2.5-SPRING STEEL	1	
109	410 101	Ball bearing 3308A-2Z/C3VT113	1	
110	410 093	Retaining ring JB 90	1	
120	51 428 00	Inspection screw	1	
122	410 508	O-ring 17X3 NBR	3	
122	410 511	O-ring 17X3 FPM	3	
129	51 420 00	Seal housing cover	1	
133	410 518	Hex.socket hd screw M10X35-A4-80	6	
141	51 028 20	Mechanical seal	1	
145	410 374	Hex.socket hd screw M12X45-A4-80	4	
228	51 432 00	Connection plate	1	
229	50 948 00	Sticker	2	
231	410 054	Shrink hose ID 6.4	*	

Pos. no.	Part. no.	Denomination	Qty./Version	
			020	
231	410 122	Shrink hose ID 9.5	*	
232	410 523	Terminal clamp WDU6/10	3	
233	410 519	Terminal clamp WDU35/IK/ZA	6	
233	410 524	Terminal clamp WDU16,1000V	8	
234	410 520	Cross connection WQW35/2	3	
234	410 525	Cross connection WQV16/2	4	
234	51 427 00	Cross connection	1	
234	51 427 01	Cross connection	1	
235	410 522	End support WEW 35/2	2	
236	410 521	Partition	1	
239	51 024 00	El.lead through unit	1	
239	51 409 00	El.lead through unit	1	
240	51 413 00	Spring	1	
241	410 022	O-ring 175X3 NBR	1	
241	410 506	O-ring 175X3 FPM	1	
242	51 597 00	adapter	1	
243	50 021 32	Hex.socket hd screw M8X16-A4-70	2	
245	410 507	O-ring 279.3X5.7 FPM	1	
245	50 037 32	O-ring 279.3X5.7 NBR	1	
247	410 097	O-ring 84.4X4 FPM	1	
251	51 428 00	Inspection screw	2	
252	410 508	O-ring 17X3 NBR	2	
252	410 511	O-ring 17X3 FPM	2	
264	132 312	Plain washer (33)-35MM	4	
264	132 334	Plain washer (14)-20MM	4	
264	132 336	Plain washer (20)-32MM	4	
265	410 113	Seal sleeve (17)-20MM	2	
265	410 114	Seal sleeve (20)-23MM	2	
265	410 115	Seal sleeve (23)-26MM	2	
265	410 116	Seal sleeve (26)-29MM	2	
265	410 117	Seal sleeve (29)-32MM	2	
265	410 118	Seal sleeve (32)-35MM	2	
266	51 025 02	Ring	1	
313	410 084	O-ring 71.2X3 FPM	1	

* piece goods

Hydraulic Parts

Overview

Table of Contents

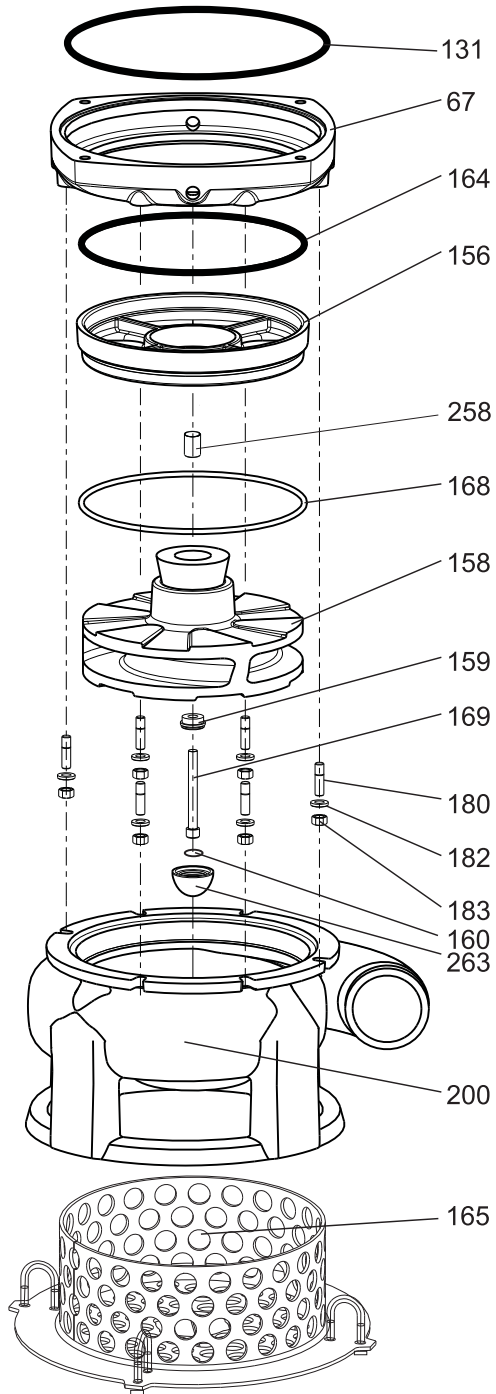
This chapter contains the following topics:

Topic

Exploded view: Hydraulic Parts.....	15
List of Hydraulic Parts.....	17

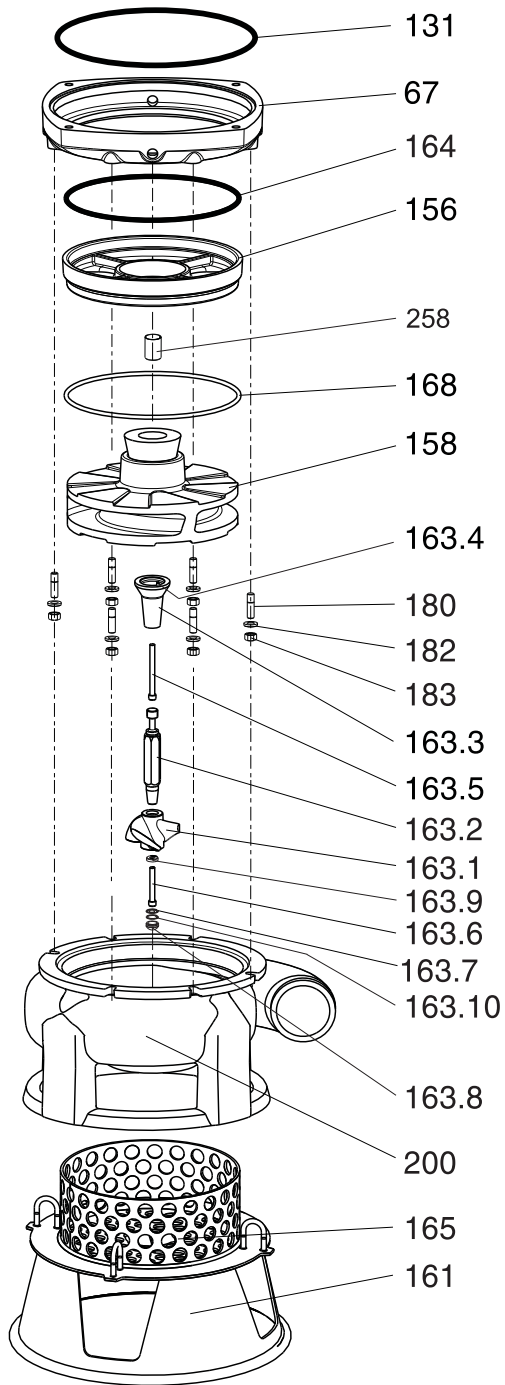
Exploded view: Hydraulic Parts

Without agitator



20080A

With agitator



20081

List of Hydraulic Parts

Pos. no.	Part. no.	Denomination	Qty./Version	
			020	
67	51 434 00	Pump housing adapter	1	
131	410 507	O-ring 279.3X5.7 FPM	1	
131	50 037 32	O-ring 279.3X5.7 NBR	1	
156	51 425 00	Wearing cover	1	
158	51 435 00	Impeller unit	1	50Hz.
159	51 453 00	Sleeve	1	
160	410 663	Protective plug	1	
161	51 431 00	Stand compl.	1	
163	51 436 00	Agitator unit	1	
163.1	51 412 00	Propeller	1	
163.10	410 505	Retaining ring	1	
163.2	51 415 00	Shaft	1	
163.3	51 416 00	Barrel nut	1	
163.4	410 501	Parallel key	1	
163.5	410 529	Hex.socket hd screw	1	
163.6	50 023 02	Hex.socket hd screw M12X80-A2-70	1	
163.7	132 274	Plain washer 12-A2-A 170	1	
163.8	51 406 00	Plug	1	
163.9	51 417 00	Washer	1	
164	410 510	O-ring	1	
165	51 433 00	Strainer compl.	1	
168	410 509	O-ring 297,8X6,99 NITRIL	1	
169	410 529	Hex.socket hd screw	1	
180	410 502	Stud 12X30-A4-70	6	
182	410 504	Plain washer STAINLESS STEEL A4	6	
183	132 280	Hexagon nut M12-A2-70	6	
200	51 424 00	Pump housing	1	
258	51 442 00	Sleeve unit	1	
263	51 454 00	Wear protection	1	



Grindex AB • Box 7025 • SE-174 07 Sundbyberg • Sweden • Tel +46 8 606 66 00 • Fax +46 8 745 53 28 • marketing@grindex.com

© Grindex AB. The original instruction is in English. All non-English instructions are translations of the original instruction.