

Parts List



www.grindex.com

Bravo 300 — 8147.020



Parts List

Bravo 300 — 8147.020

Overview

Table of Contents

This publication contains the following topics:

Topic

Preface	4
Practical Information	5
Data Plate Interpretation.....	6
Order parts.....	7
Motor Parts	8
Exploded view: Motor Parts.....	9
List of Motor Parts.....	10
Hydraulic Parts.....	14
Exploded view: Hydraulic Parts.....	15
List of Hydraulic Parts	16
Sump Components.....	17
Exploded view: Sump Components.....	18
List of Sump Components	19

Preface

Purpose

The purpose of this manual is to give the reader information about available spare parts and accessories for the product.

Recipient

The manual is principally intended for Grindex

- customers
 - service personnel *and*
 - sales personnel.
-

Contact

Please contact Grindex if any information in this publication is

- incorrect
 - missing
 - difficult to find *or*
 - irrelevant.
-

Reference

More information about the product is available in the following documents:

- Installation, Operation and Maintenance
 - Accessories. Please see Grindex Accessories list.
-

Practical Information

Overview

Table of Contents

This chapter contains the following topics:

Topic	
Data Plate Interpretation	6
Data Plate.....	6
Order parts	7

Data Plate Interpretation

Introduction

The Grindex product is always provided with data plates:

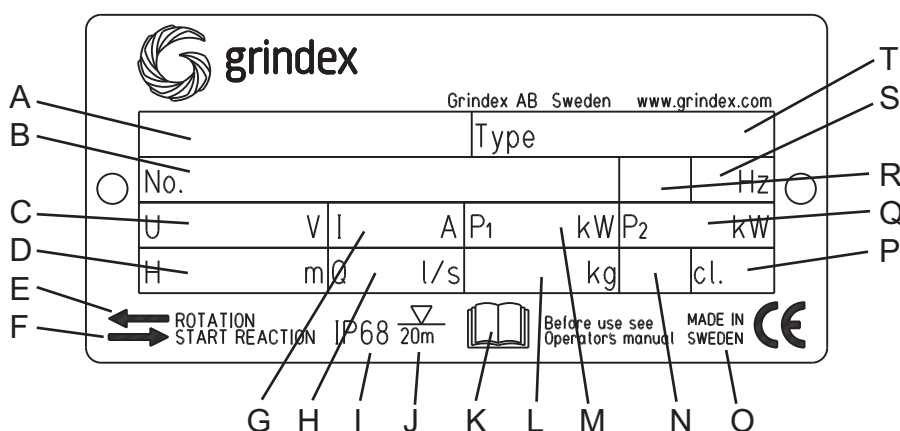
- The general data plate is used on all products.
- The approval plate is added to all explosion proof products.

Data Plate

The product may only be operated within the parameters stated on the data plate.

Illustration

This is an illustration of a general data plate.



Field description

This table shows the fields on the general data plate, and which information each field contains.

Field	Description	Field	Description
A	Pump model	K	Read the Installation, Operation and Maintenance Manual
B	Serial number	L	Product weight
C	Rated voltage	M	Maximum Power consumption
D	Maximum height	N	Locked rotor code letter
E	Direction of Impeller rotation	O	Country of origin
F	Direction of starting jerk	P	Thermal class
G	Rated current	Q	Rated shaft power
H	Maximum capacity	R	Phase; type of current
I	Degree of protection	S	Frequency
J	Maximum submersion depth	T	Pump type number

Order parts

Order

When ordering spare parts, state product number and serial number of the product, spare part number and quantity.

Requirements

Genuine Grindex parts must always be used for repairs if the product is to fulfill requirements and obtain official approval.

Specially Approved Products

Spare parts marked with (EX) after the part number are subject to dimensional accuracy inspection.

Motor Parts

Overview

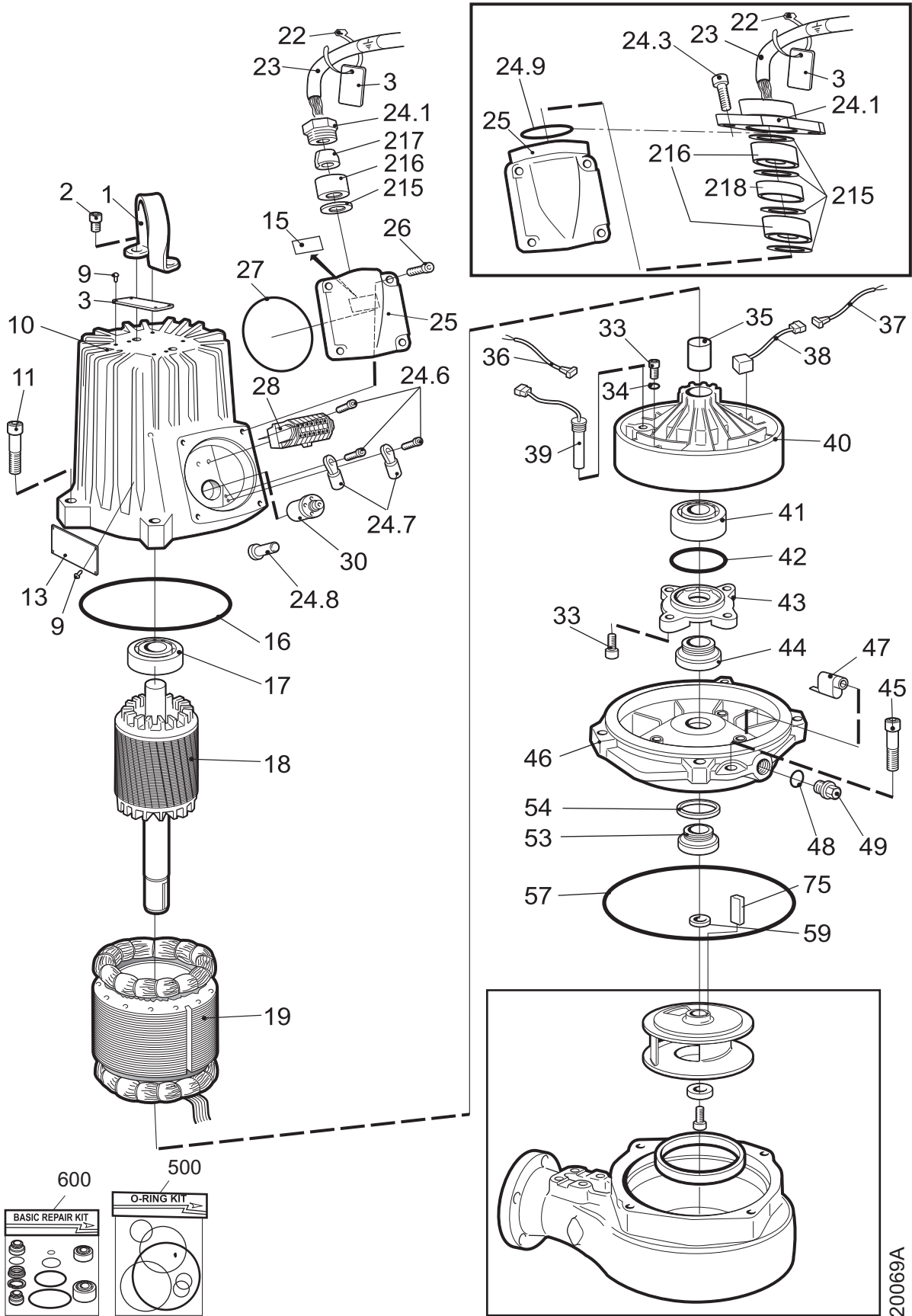
Table of Contents

This chapter contains the following topics:

Topic

Exploded view: Motor Parts	9
List of Motor Parts	10

Exploded view: Motor Parts



20069A

List of Motor Parts

Pos. no.	Part. no.	Denomination	Qty./Version	
			020	
1	51 587 00	Lifting handle	1	
2	50 021 20	Hex.socket hd screw M10X25-A2-70	2	
3	50 888 00	Plate-blank	2	Use 50 907 00 (EU), 50 907 01 (US) as spare part.
9	410 000	Drive screw 4X5-A2-70	6	
10	51 566 00	Stator housing	1	
11	410 616	Hex.socket hd screw M10X60-A2-70	4	
15	50 899 00	Connection plate	1	
15	50 918 00	Connection plate SCREENED SUBCAB	1	
15	51 567 00	Connection plate (FLS+CLS)	1	
15	51 568 00	Connection plate (FLS)	1	
15	51 569 00	Connection plate (CLS)	1	
15	51 578 00	Connection plate	1	
15	51 579 00	Connection plate	1	
16	410 546	O-ring 239.5X5.7 NBR	1	
17	410 635	Ball bearing 6207,35X72X17	1	
18	51 583 00	Shaft unit	1	
19	51 533 12	Stator 21-12-4a	1	60Hz: 440 - 460V Yser, 220 - 230V Y//.
19	51 533 28	Stator 21-12-4a	1	50Hz: 190 - 200V D. 60Hz: 200 - 220V D.
19	51 533 29	Stator 21-12-4a	1	60Hz: 220 - 230V D, 380V Y.
19	51 533 30	Stator 21-12-4a	1	60Hz: 380V D.
19	51 533 32	Stator 21-12-4a	1	50Hz: 346 - 350V Y, 200 - 208V D. 60Hz: 230 - 240V D, 400V Y.
19	51 533 34	Stator 21-12-4a	1	50Hz: 380 - 400V Y, 220 - 230V D. 60Hz: 440 - 460V Y, 260V D.
19	51 533 38	Stator 21-12-4a	1	50Hz: 660 - 690V Y, 380 - 400V D. 60Hz: 440 - 460V D.
19	51 533 40	Stator 21-12-4a	1	50Hz: 400V D. 60Hz: 400V D.
19	51 533 44	Stator 21-12-4a	1	50Hz: 400 - 440V D.
19	51 533 50	Stator 21-12-4a	1	50Hz: 500V D. 60Hz: 575V D.
19	51 533 52	Stator 21-12-4a	1	60Hz: 575 - 600V D.
22	410 517	Cable tie 200X2.4 PA 6/6 -55+105	1	
23	131 039	Motor cable SUBCAB 4G 2.5MM2	*	

Pos. no.	Part. no.	Denomination	Qty./Version	
			020	
23	133 139	Motor cable SUBC 4G 4 MM2	*	
23	410 059	Motor cable 3X2.5MM2;SCREENED CABLE	*	
23	410 060	Motor cable 6X2.5MM2+2X1,5 SCREEN FGB	*	
23	410 061	Motor cable SUBCAB S3X2.5+3X2.5/3+4X1	*	
23	410 063	Motor cable SUBC 7G2.5+2X1.5MM2 20-23	*	
23	410 066	Motor cable SUBCAB 14AWG/7	*	
23	410 068	Motor cable SUBCAB 12AWG/7	*	
23	410 069	Motor cable SUBC 10AWG/3-2-1-GC 20-22	*	
23	410 129	Motor cable SUBC 4G4+2X1.5MM2 20-22	*	
23	410 130	Motor cable SUBC 7G4+2X1.5MM2 22-26	*	
23	410 134	Motor cable SUBC 8AWG/3-2-1-GC 27-29	*	
23	410 647	Motor cable SUBC 7G 2.5MM2	*	
23	50 777 00	Motor cable SUBC 4G2.5+2X1.5MM2 17-18	*	
24.1	51 407 00	Gland screw FOR CABLE ENTRY	1	
24.1	51 423 00	Entrance flange	1	
24.3	50 023 04	Hex.socket hd screw M12X40-A2-70	2	
24.6	410 619	Cutting screw TAPTITE-M6X12	4	
24.7	410 636	Cable lug 2.5-6MM2;M6	2	
24.7	410 637	Cable lug 6.1-10MM2;M6	1	
24.7	410 638	Cable lug 1-2.5MM2;M6	2	
24.7	410 639	Cable lug	2	
24.8	410 033	Closed end splice 5.1-10.6;(AWG 18-8)L=38	2	
24.8	410 034	Closed end splice 3-6(AWG 12-10)	1	
24.9	410 086	O-ring 49.5X3 NBR	1	
25	51 564 00	Entrance cover	1	
25	51 565 00	Entrance cover	1	
26	50 021 14	Hex.socket hd screw M8X35-A2-70	4	

Pos. no.	Part. no.	Denomination	Qty./Version	
			020	
27	410 018	O-ring 129.5X3 NBR	1	
28.1	410 640	Terminal clamp	6	
28.1	410 642	Terminal clamp	6	
28.3	410 641	End plate APPA - 11796	1	
28.6	410 643	End support 35X15	2	
28.7	51 584 00	Rail 35X15	1	
28.9	50 898 00	Marking tape	1	
28.9	51 580 00	Marking plate	2	
28.9	51 586 00	Marking strip	2	
30	51 409 00	El.lead through unit	1	
33	410 620	Cutting screw TAPTITE-M6X20	7	
34	410 622	Sealing washer DUBO NR 301	3	
35	51 582 00	Sleeve	1	
36	51 588 00	Cable unit	1	
37	51 588 01	Cable unit	1	
38	51 591 00	Leakage detect.unit (FLS)	1	
39	51 589 00	Leakage detect.unit (CLS30)	1	
40	51 581 00	Bearing holder STANDARD VERSION	1	
40	51 581 01	Bearing holder STANDARD VERSION	1	
41	410 634	Ball bearing 35X80X34.9	1	
42	410 623	O-ring 78X4 NBR	1	
43	51 575 00	Bearing cover	1	
44	51 572 00	Mechanical seal WCCR/AL203	1	
45	50 023 04	Hex.socket hd screw M12X40-A2-70	5	
46	60 447 01	Oil housing bottom	1	
47	51 563 00	Sleeve	1	
48	133 064	O-ring 19.2X3 NBR	2	
49	133 063	Inspection screw	2	
53	51 593 00	Mechanical seal WCCR/WCCR-TYPE T	1	
54	51 592 00	Insert ring	1	
57	131 543	O-ring 249.3X5.7 NBR	1	
75	410 615	Parallel key SMS 2306-8H9X7H11X45	1	
162	410 054	Shrink hose ID 6.4	*	
166	51 432 00	Connection plate	1	
166	51 576 00	Connection plate	1	
169	51 596 00	Sticker	2	

Pos. no.	Part. no.	Denomination	Qty./Version	
			020	
215	132 336	Plain washer (20)-32MM	4	
215	50 127 04	Plain washer (10)-22MM	1	
216	410 044	Seal sleeve (12)-14MM	1	
216	410 045	Seal sleeve (14)-16MM	1	
216	410 046	Seal sleeve (16)-18MM	1	
216	410 047	Seal sleeve (18)-20MM	1	
216	410 114	Seal sleeve (20)-23MM	2	
216	410 115	Seal sleeve (23)-26MM	2	
216	410 116	Seal sleeve (26)-29MM	2	
217	50 926 01	Cable clip (12)-14MM	1	
217	50 926 02	Cable clip (14)-16MM	1	
217	50 926 03	Cable clip (16)-18MM	1	
217	50 926 04	Cable clip (18)-20MM	1	
218	51 025 02	Ring	1	
912	133 064	O-ring 19.2X3 NBR	4	
912	410 018	O-ring 129.5X3 NBR	1	

* piece goods

Hydraulic Parts

Overview

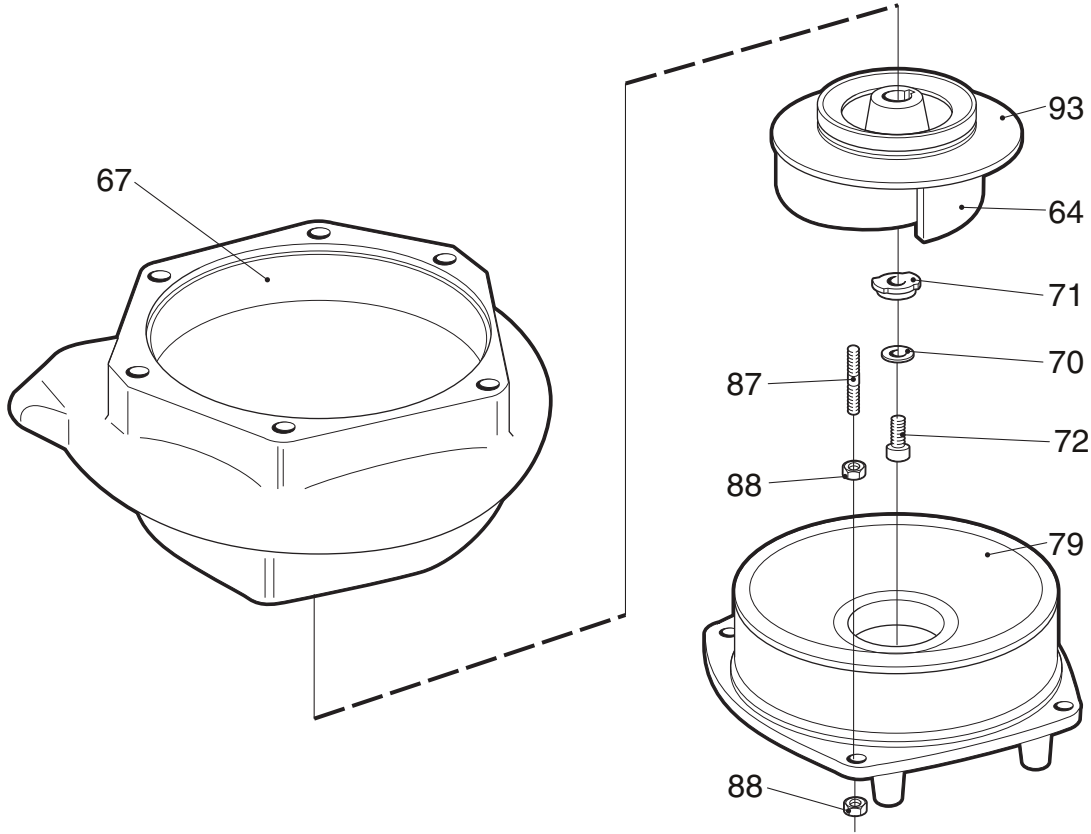
Table of Contents

This chapter contains the following topics:

Topic

Exploded view: Hydraulic Parts.....	15
List of Hydraulic Parts.....	16

Exploded view: Hydraulic Parts



20070A

List of Hydraulic Parts

Pos. no.	Part. no.	Denomination	Qty./Version	
			020	
64	51 536 00	Impeller 50Hz.	1	
64	51 537 00	Impeller 60Hz.	1	
67	51 535 00	Pump housing	1	
70	132 274	Plain washer 12-A2-A 170	1	
71	51 542 00	Square nut	1	
72	50 023 05	Hex.socket hd screw MC6S 12X40-2343	1	
79	51 539 00	Suction cover	1	
87	132 442	Stud 12X80-A2-70	4	
87	410 171	Stud M12X35-A2-70	2	
88	410 621	Hexagon nut M12-A2-70	8	
93	51 538 00	Wear protect.compl.	1	

Sump Components

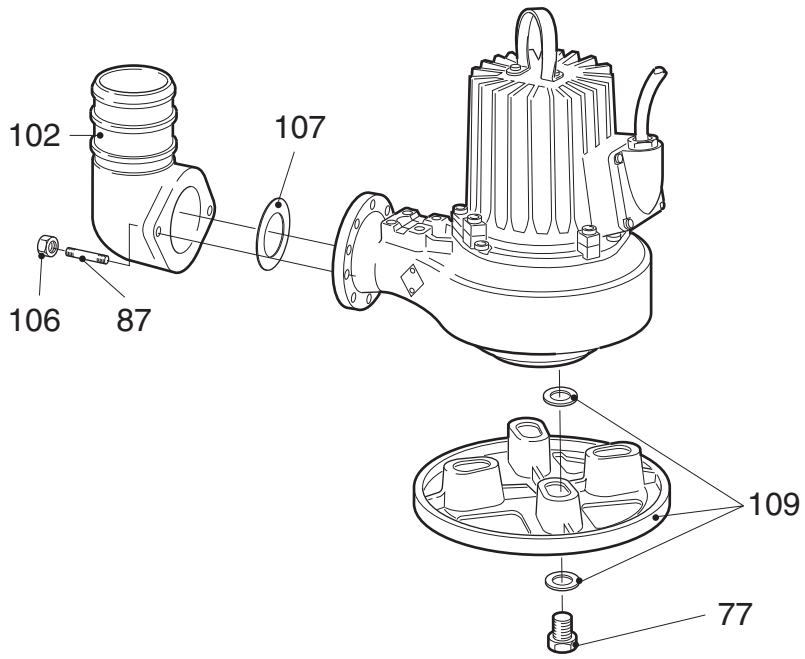
Overview

Table of Contents

This chapter contains the following topics:

Topic	
Exploded view: Sump Components.....	18
List of Sump Components.....	19

Exploded view: Sump Components



20071A

List of Sump Components

Pos. no.	Part. no.	Denomination	Qty./Version	
			020	
77	410 197	Hexagon head screw M12X35-A2-70	4	
102	51 540 00	Discharge connection	1	DN 100.
102	51 541 00	Discharge connection	1	DN 100, Thread : ISO G4A Outer.
102	51 541 01	Discharge connection	1	DN 100, Thread : 4-8 NPSM Outer.
106	132 280	Hexagon nut M12-A2-70	2	
107	51 534 00	Gasket	1	
109	51 559 00	Stand unit	1	
111	410 030	Coupling part DN 110 INNER THREAD G4	1	
134	51 570 00	Starter	1	



Grindex AB • Box 7025 • SE-174 07 Sundbyberg • Sweden • Tel +46 8 606 66 00 • Fax +46 8 745 53 28 • marketing@grindex.com

© Grindex AB. The original instruction is in English. All non-English instructions are translations of the original instruction.